

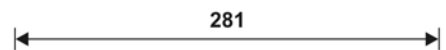
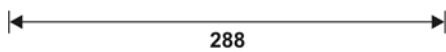
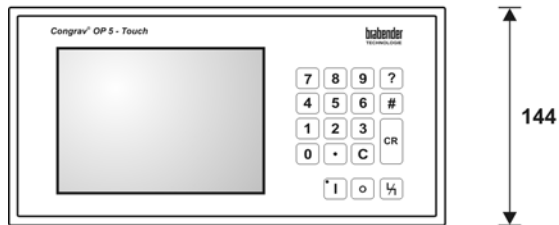
Brabender Operating Panel Congrav® OP 5 Touch for multiple feeder control systems with ISC-CM plus

The Brabender touch screen operating panel Congrav® OP 5 Touch serves for operation of up to 16 gravimetric Brabender metering feeders (loss-in-weight feeders, weigh-belt feeders, etc.) with feeder-mounted control and speed control modules ISC-CM plus / ISC-FC plus ("Intelligent Signal Conditioner") in multiple feeder control systems. Here, the Congrav® OP 5 Touch can be used both as a central operating unit in the Brabender SCC Field Bus System (SCC = Single Cable Connection) and in connection with a customer's central automation system (host/PLC) as a local operating panel in Ethernet or field bus configurations where its broad variety of optional interfaces allows interfacing with almost any automation system applied. The Congrav® OP 5 Touch operating

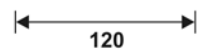
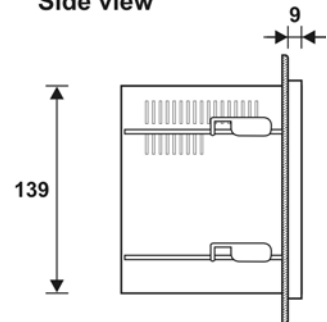
panel has a graphic display/user surface allowing extraordinarily easy operation due to language-independent and self-explaining touch-sensitive input fields on a clearly arranged touch screen (6.5" color display). Based on the operating system Microsoft® Windows®, the display allows intuitive operation and observation of the feeding process. As a result, operator training time and the risk of faulty operation are reduced to a minimum. The unit conforms to CE directives and is distinguished by its high electromagnetic compatibility.



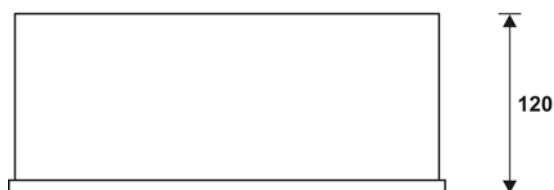
Front view



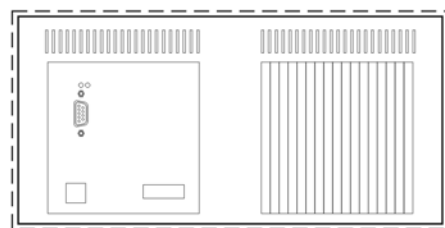
Side view



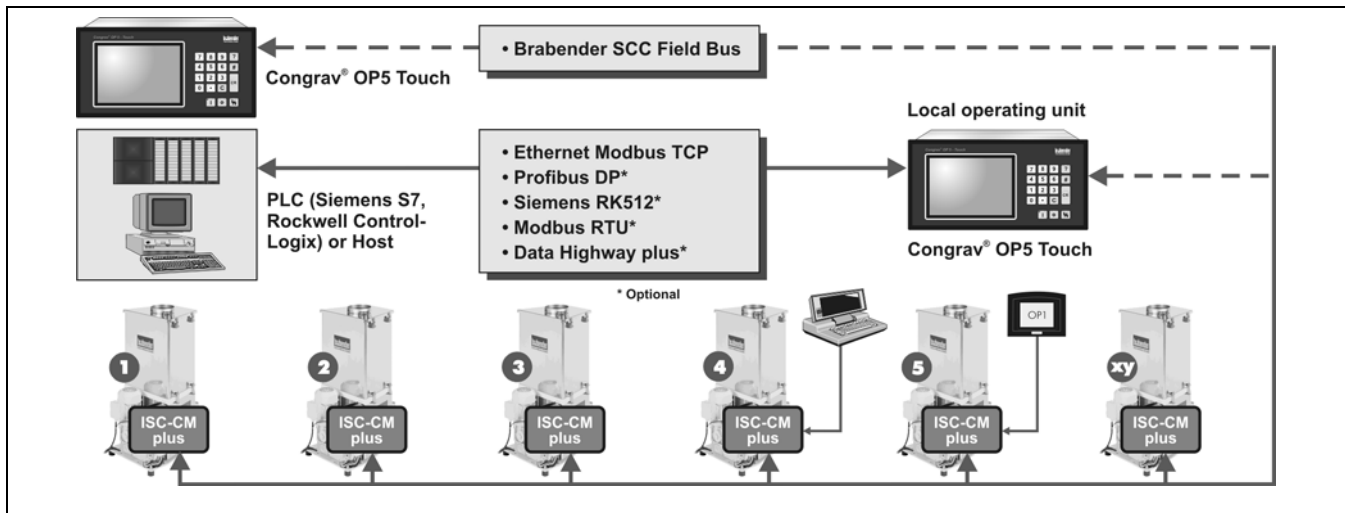
Top view



Back view



Technical Data*



Application

- Touch screen operating panel for multiple feeder control systems
- Allows to connect max. 16 Brabender weigh feeders with feeder-mounted control/speed control modules ISC-CM/FC plus (see Works Standard "ISC-CM/FC plus") in field bus interconnection (integration of volumetric feeders with variable speed motors possible)
- Applicable as a central operating panel (Brabender SCC Field Bus System)
- Alternatively applicable as a local operating panel interfaced with an automation system on site (host/PLC)

Design

- Ventilated housing for control cabinet installation (mounting depth 165 mm with angular plugs)
- Cabinet cutout 140 x 283 mm
- Enclosure protection IP 30, front IP 65
- Weight approx. 4.5 kg
- 6.5" backlit color display (touch screen)
- Sealed industrial keypad with action point keys

- Supply voltage 24 VDC/25 VA
- Ambience 0-45°C, max. 85% air humidity without condensation

Interfaces

- 1 x RS 485 for single cable connection of max. 16 Brabender weigh feeders with feeder-mounted control/speed control modules ISC-CM/FC plus
- 1 x Ethernet Open Modbus TCP for connection to customers' automation systems (host/PLC)
- 1 x Brabender I/O bus interface to connect extension modules (I/O modules, see "Options")

Noise Immunity

- The unit complies with the following directives and harmonised specifications of the European Union: EN 55011 (emission class A, interference voltage AC, interference field); EN 61000-6-2 (interference immunity); EN 61000-4-2 (ESD); EN 61000-4-3 (radiation); EN 61000-4-4 (burst); EN 61000-4-5 (surge); EN 61000-4-6 (conducted immunity)

Options

Alternative host/PLC interfaces:

- Profibus DP
- Siemens RK 512
- Modbus RTU
- Data Highway plus
- Modem interface RS 422

Extension modules (I/O modules) for top hat rail mounting (communications via Brabender I/O Bus):

- Digital module: 4 digital inputs (e. g. start, stop, alarm reset, etc.), 4 digital outputs (e. g. run, alarm, etc.)
- Analog module: 2 analog inputs 0(2)-10 V (e. g. analog control signal), 2 analog outputs 0(4)-20 mA (e. g. actual value)

Closed casings for ambient temperatures up to:

- 35°C (enclosure protection IP 65, dimensions approx. 420 x 300 x 300 mm w x h x d)
- 45°C (enclosure protection IP 65 with active Peltier cooling system (ventilator in rear wall IP 54), dimensions approx. 430 x 290 x 280 mm w x h d)

brabender

TECHNOLOGIE

An ISO 9001/EN 29001 Certified Company

*Modifications reserved. All data describe our products in a general manner. They are no agreement on or warranty of characteristics in the sense of § 434 or guarantee in the sense of § 443 of the German Civil Code or similar regulations and effect no liability.

Issue 1.0 (January 11)
Supersedes issue 2.0 (February 08)