

Brabender Bin Activator BAV 04N

The Brabender Bin Activator BAV 04N is capable of reliably discharging bulk materials from bins and silos either continuously or in batches.

The BAV consists of a spun metal outlet cone with a stabilizing flat ring and an internal welded baffle. On the exterior of the cone a force adjustable electromechanical vibrator is mounted.

This complete assembly is isolated and suspended from a bin mating flange by flexible hanger rods and sealed with a flexible sleeve.

When the vibrator is started, the outlet cone and baffle oscillate horizontally promoting ingredient flow. The suspended assembly forms an integral structure that ensures uniform distribution of the dynamic forces.

The bin mating flange is supplied loose and field welded to the customer bin or silo by others.

The BAV manner of operation allows non-compacting "first in - first out" discharge for consist-

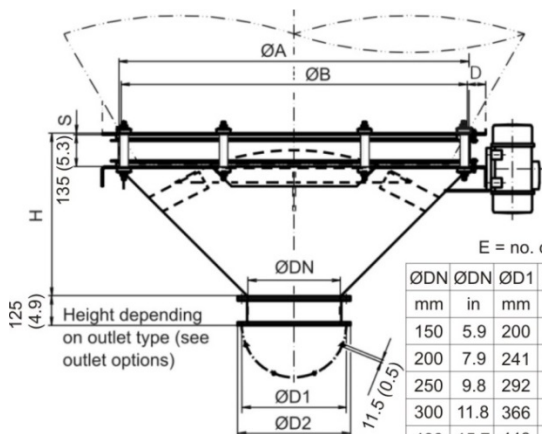
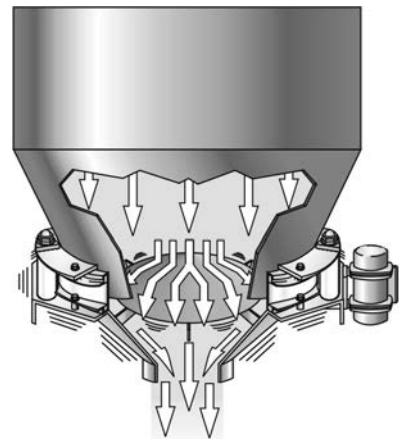
tent filling of downstream metering feeders or conveyors.

In addition, the vibration de-aerates floodable ingredients preventing uncontrolled flow and homogenizes the bulk density.

The product line includes models from 600 to 1800 mm (23.6 to 70.9 in) diameter so that suitable units for most bins and silos are available. Bins and silos may be made of mild steel, stainless steel, aluminum or plastics material.

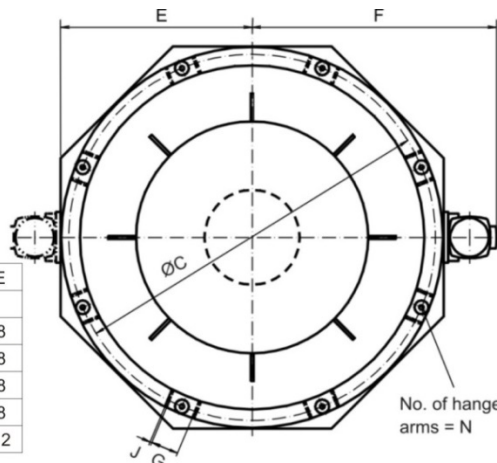
The Brabender Bin Activator is standardly available in mild steel or stainless steel.

The unit conforms to CE directives.

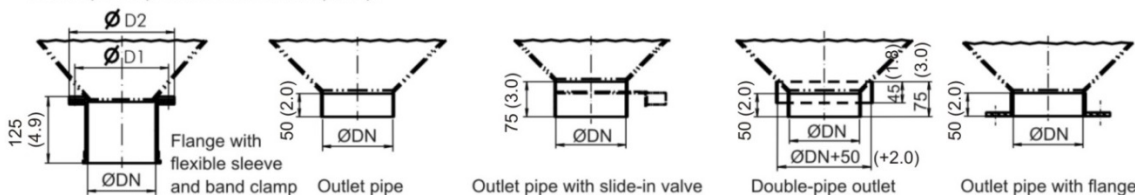


E = no. of bore holes

ØDN	ØDN	ØD1	ØD1	ØD2	ØD2	E
mm	in	mm	in	mm	in	
150	5.9	200	7.9	225	8.9	8
200	7.9	241	9.5	275	10.8	8
250	9.8	292	11.5	325	12.8	8
300	11.8	366	14.4	395	15.6	8
400	15.7	448	17.6	484	19.1	12



Outlet options (flexible connection required):



Type	Ø A	Ø B	Ø C	Ø DN	H	D	E	F	S	J	G	N	Motors	Weight approx.
604N	600 (23.6)	590 (23.2)	670 (26.4)	150-300 (5.9-11.8)	355-280 (14.0-11.0)	60 (2.4)	365 (14.4)	555 (21.9)	6 (0.2)	6-8 (0.2-0.3)	100 (3.9)	4	1	55 kg (121.3 lb)
904N	900 (35.4)	884 (34.8)	980 (38.6)	150-400 (5.9-15.7)	515-390 (20.3-15.4)	80 (3.1)	530 (20.9)	725 (28.5)	8 (0.3)	6-9 (0.2-0.4)	100 (3.9)	4	1	85 kg (187.4 lb)
1204N	1200 (47.2)	1184 (46.6)	1280 (50.4)	150-500 (5.9-19.7)	670-495 (26.4-19.5)	80 (3.1)	675 (26.6)	900 (35.4)	8 (0.3)	8-10 (0.3-0.4)	110 (4.3)	8	1	160 kg (352.7 lb)
1504N	1500 (59.0)	1484 (58.4)	1580 (62.2)	200-500 (7.9-19.7)	800-650 (31.5-25.6)	80 (3.1)	825 (32.5)	1055 (41.5)	8 (0.3)	8-10 (0.3-0.4)	100 (3.9)	8	1	245 kg (540.1 lb)
1804N	1800 (70.9)	1784 (70.2)	1900 (74.8)	200-500 (7.9-19.7)	945-795 (37.2-31.3)	100 (3.9)	995 (39.2)	1250 (49.2)	10 (0.4)	10-12 (0.4-0.5)	200 (7.9)	8	2	450 kg (992.1 lb)

Dimensions in mm (in)

Technical Data

Models

- BAV 604N (Ø 600 mm ≈ 23.6 in)
- BAV 904N (Ø 900 mm ≈ 35.4 in)
- BAV 1204N (Ø 1200 mm ≈ 47.2 in)
- BAV 1504N (Ø 1500 mm ≈ 59.0 in)
- BAV 1804N (Ø 1800 mm ≈ 70.9 in)

Dimensions: see other side

Standard Scope of Supply

- Outlet cone with internal welded baffle
- Bin mating flange to suspend the outlet cone (supplied loose)
- Horizontally flexible stable hanger rods (number and size depending on model)
- Flexible transition sleeve with slip free secure fastening made of seamless white molded polyurethane, highly flexible for optimum silo vibration isolation
- Dependable low maintenance force adjustable electromechanical vibrator (model BAV 1804N has two vibrators)
- Flexible outlet sleeve made of seamless white molded polyurethane, flanged to the outlet cone (flange ring to connect the other end included in the scope of supply)

Available Materials

Ingredient contact steel parts

- Mild steel R-St37-2, primed inside and outside
- Stainless steel SS 1.4301 (304), glass bead blasted inside and outside, optionally pickled and passivated

- Stainless steel SS 1.4571 (316), glass bead blasted inside and outside, optionally pickled and passivated

Standard Vibrators

- 3 phase AC electromechanical vibrator motor
 - Voltage: 220-240/380-415 V, 50 Hz
 - Enclosure: IP 66 (≈ NEMA 4 and NEMA 4X)
 - Insulation class F
 - Tropical insulation
 - Painting similar to RAL 2000, smooth

Options/Accessories

Surface Treatment

Mild steel versions

- Sand-blasting and painting, color as per RAL color chart
- Sand-blasting of internal surfaces

Stainless steel versions

- Painting of mild steel parts, color as per RAL color chart
- Vibrator painting, color as per RAL color chart

Outlet Options

(dimensions see other side)

- Flexible outlet sleeve made of seamless white molded polyurethane, flanged to the outlet cone, incl. band clamp
- Outlet pipe
- Outlet pipe with manual slide-in emergency shut-off gate

- Double-pipe outlet
- Outlet pipe with flange as per Brabender standard (option: PN6 or PN10 flange)
- Flexible outlet sleeves for outlet pipes without flanges

Non-Standard Vibrators

- Non-standard voltages (e.g. 440 V, 500 V, etc.)
- Special frequency 60 Hz
- Explosion proof versions as per EU directive 94/9/EG (ATEX)

Non-Standard Sleeve Materials

- Transition sleeves made of silicone
- Flexible outlet sleeves made of white neoprene or silicone

Accessories

- Shut-off valves
- Shut-off flaps
- Slide valve suspended from bin mating flange
- Small-size bins

Downstream Integration

Volumetric and gravimetric metering feeders from the Brabender product line, e.g.

- Screw feeders
- Loss-in-weight feeders
- Weigh-belt feeders, etc.

Downstream conveyors or feeding equipment, e.g.

- Screw conveyors
- Vibratory conveyors
- Belt conveyors
- Rotary valves



Modifications reserved. All data describe our products in a general manner. They are no agreement on or warranty of characteristics in the sense of § 434 or guarantee in the sense of § 443 of the German Civil Code or similar regulations and effect no liability.

Issue 4.0 (April 16)
Supersedes 8.0 (August 13)